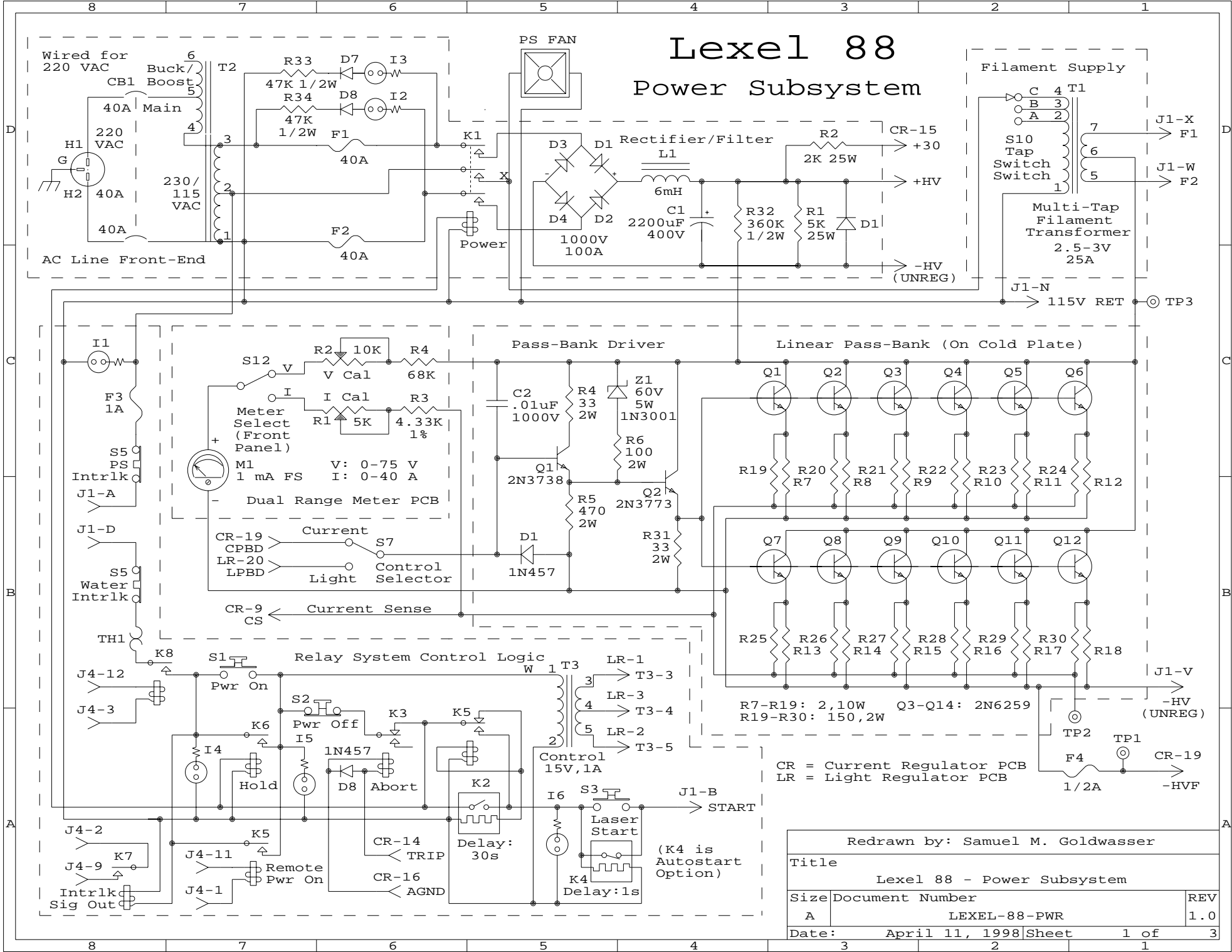


Lexel 88 Power Subsystem



CR = Current Regulator PCB
LR = Light Regulator PCB

Redrawn by: Samuel M. Goldwasser		
Title		
Lexel 88 - Power Subsystem		
Size	Document Number	REV
A	LEXEL-88-PWR	1.0
Date:	April 11, 1998	Sheet 1 of 3